



NEW



A MEMBER OF THE **ESTUN** GROUP

TRIO Automation Technology Co., LTD DX3 AC servo system

Motion control specialist

TRIO DX3

Product introduction

As a new single axis AC servo products, DX3 with its excellent performance and practical control functions, It is designed to create a full set of cost-effective solutions for customers.

DX3 driver ADAPTS MXL, MXM and other servo motors, Compatible with mainstream controllers, Can provide high speed、High precision and high performance machine solutions.

The DX3 has the following remarkable features:

- (1) EtherCAT is supported, with DC synchronization cycle as low as 125μs.
- (2) Exquisite shape, compact size.
- (3) Support close installation.
- (4) AC 200V power supply, power range from 50W to 2kW.
- (5) AC 400V power supply, power range from 1kW to 7.5KW.
- (6) MXL, MXM, MXJ and other servo motors are equipped with 20-bit incremental / 23-bit absolute encoder (photoelectric) / 17-bit absolute encoder (magnetic).
- (7) Comprehensive tuning technology: automatic tuning, adaptive vibration suppression, friction compensation.



TRIO DX3

Product name

DX3

DX3 drive



— 1

Controlled axis

02

Rated output

01	0.1kW
02	0.2kW
04	0.4kW
08	0.75kW
10	1kW
15	1.5kW
20	2kW
30	3kW
50	5kW
75	7.5kW

A

Voltage grade

A	200VAC
D	400AVC

E

Options

E	EtherCAT
M	Pulse

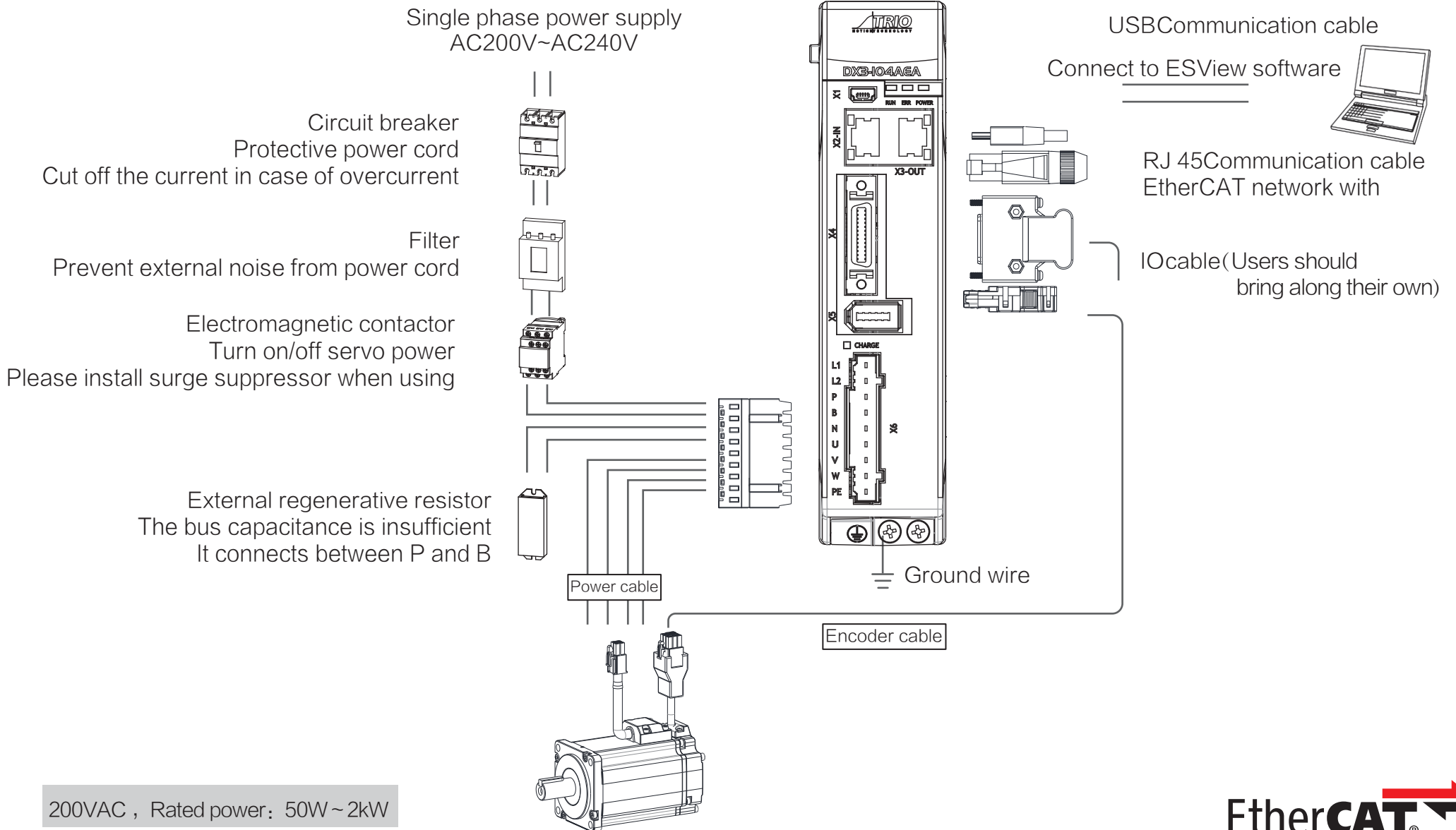
A

Encoder type

A	Serial encoder
---	----------------

TRIO DX3

Product wiring scheme



200VAC , Rated power: 50W ~ 2kW

TRIO DX3

Product wiring scheme

Three phase power supply
AC400V~AC460V

Circuit breaker
Protective power cord
Cut off the current in case of overcurrent

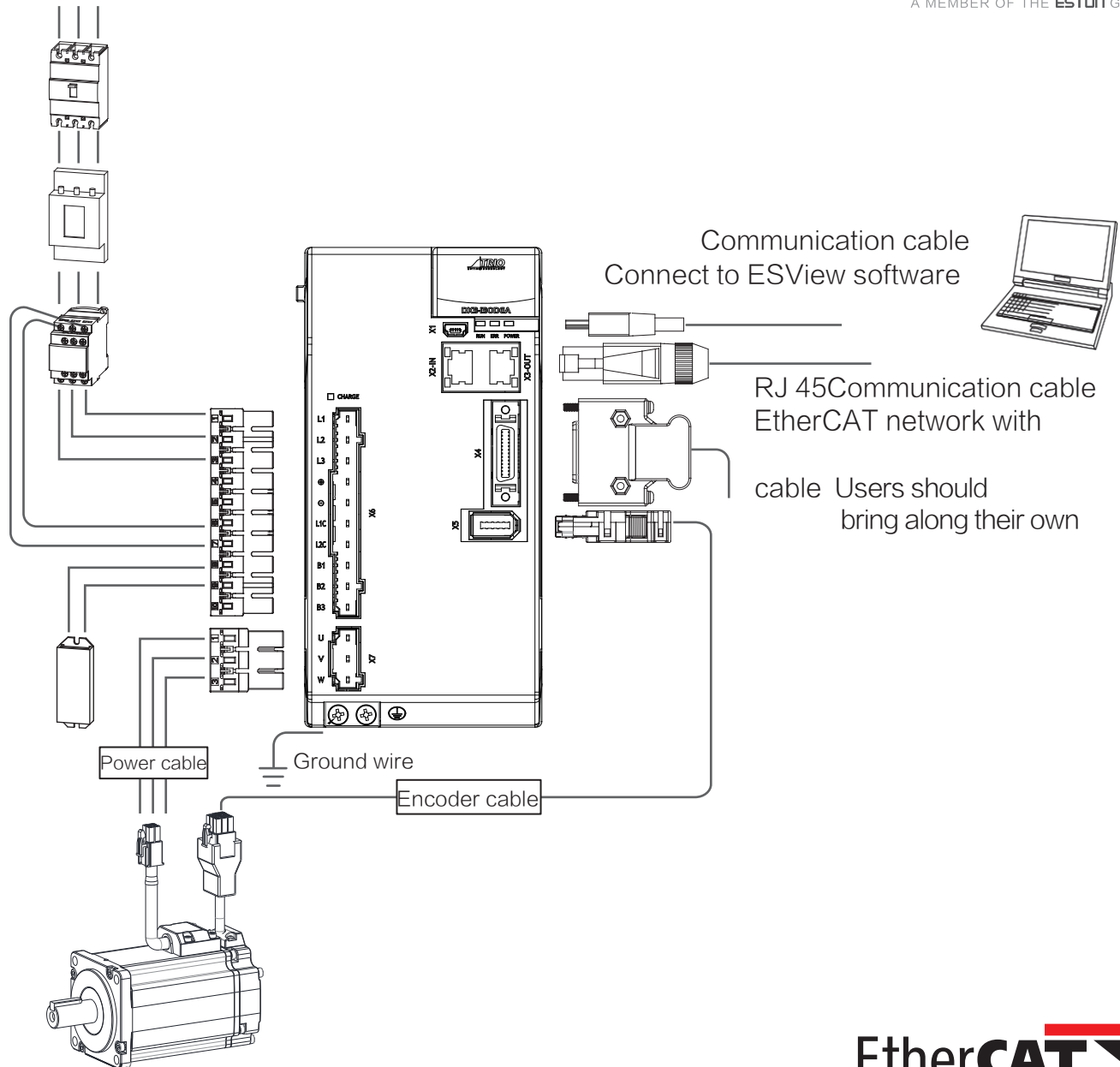
Filter
Prevent external noise from power cord

Electromagnetic contactor
Turn on/off servo power
Please install surge suppressor when using

External regenerative resistor
The bus capacitance is insufficient
It connects between B1 and B2

Communication cable
Connect to ESView software

RJ 45 Communication cable
EtherCAT network with
cable Users should
bring along their own



400VAC , Rated power: 1kW ~ 7.5kW

TRIO DX3

Ratings and specifications

200VAC								
Driver model:DX3-	A5A	01A	02A	04A	08A	10A	15A	20A
Continuous output current[Arms]	0.9	1.1	1.5	2.9	5.1	6.9	9.5	12.6
Maximum output current[Arms]	3.3	4.0	5.8	11.5	19.5	21.0	31.6	42.0
Capacity of main power supply [kVA] (Single phase)	0.2	0.3	0.6	1.2	1.9	2.6	4.0(注)	-
Capacity of main power supply [kVA] (Three-phase)	-	-	-	-	1.6	2.0	3.0	3.5

400VAC						
Driver model:DX3-	10D	15D	20D	30D	50D	75D
Continuous output current[Arms]	3.6	5.0	7.1	12.0	17.0	27.3
Maximum output current[Arms]	10.9	16.3	24.7	37.8	53.0	70.7
Capacity of main power supply [kVA] (Three-phase)	1.8	2.8	3.5	5.0	8.2	12.0

General specification		Description	
Input power	200VAC	Single-phase AC 200V ~ 240V, -15% ~ +10%, 50Hz/60Hz Three-phase AC 200V ~ 240V, -15% ~ +10%, 50Hz/60Hz (Rated power ≥ 0.75kW)	
	400VAC	Three-phase AC 380V ~ 440V, -15% ~ +10%, 50Hz/60Hz	
control power	200VAC	Single-phase AC 200V ~ 240V, -15% ~ +10%, 50Hz/60Hz	
	400VAC	Single-phase AC 200V ~ 440V, -15% ~ +10%, 50Hz/60Hz	
Control mode		SVPWM control	
Feedback		Serial communication encoder: 20bits incremental photoelectric encoder 23bits absolute photoelectric encoder 17bits absolute magnetic encoder	
Operation conditions	Work environment	Temperature	When used on a single device: -5°C ~ 55°C; When multiple devices are installed snugly: -5°C ~ 40°C
		Humidity	5% to 95% (with no condensation)

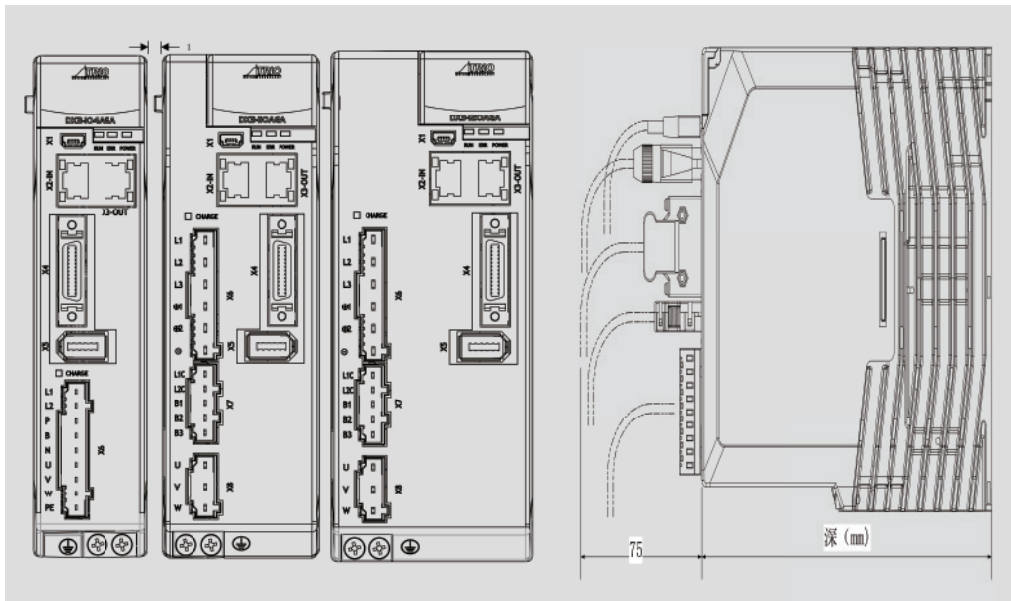
General specification		Description
Storage environment	Temperature	-20°C ~ 85°C
	Humidity	5% to 95% (with no condensation)
	Protection Class	IP20
	Altitude	Below 1000m
	Vibration resistance	4.9m/s ²
	Impact resistance	19.6m/s ²
	Power System	TN System
Installation structure		Base-mounted
Performance	Speed control range	1: 5000
	Coefficient of speed fluctuation	± 0.01% of rated speed max. (For a load fluctuation of 0% to 100%)
		0% of rated speed max. (For a load fluctuation of ± 10%)
		± 0.1% of rated speed max. (For a temperature fluctuation of 25° C ± 25° C)
Soft start time setting	0 s to 10 s (Can be set separately for acceleration and deceleration.)	
Input-output signal	Input signal	Operating voltage range: 24 VDC ± 20% Input channel number: 5 Input signal is: S-on (servo enable), N-OT (reverse drive forbidden), P-OT (positive drive forbidden), PCL (positive torque external limit)/EXT1 (TouchProbe signal 1), NCL (negative torque external limit)/EXT2 (TouchProbe signal 2).
	Output signal	Operating voltage range: 5 VDC to 30 VDC Number of output channels: 3 (1 channel is fixed for servo alarm) Output signals are: TGON (motor rotation detection), ALM (servo alarm), COIN (positioning completion) except ALM, other signals can be allocated, positive and negative logic changes.
EtherCAT communication	Communication standard	IEC 61158 Type12, IEC 61800-7 CiA402 Drive Profile
	physical layer	100BASE-TX (IEEE802.3)
	Bus connection	CN3-IN (RJ45): EtherCAT Signal IN CN4-OUT (RJ45): EtherCAT Signal OUT
	Cable	Class 5 Twisted pair (4 pairs of shielded twisted pair)
	Sync Manager	SM0: indicates the output mailbox. SM1: indicates the input mailbox SM2: output process data; SM3: input process data

General specification		Description
FMMU	FMMU	FMMU0: Map to the process Data (RxPDO) output area. FMMU1: Map to process data (TxPDO) send area. FMMU2: Mapping to mailbox state
	EtherCAT Commands (Data Link Layer)	APRD, FPRD, BRD, LRD, APWR, FPWR, BWR, LWR, ARMW, FRMW
	PDO data	Dynamic PDO mapping
	MailBox(CoE)	Emergency events, SDO requests, responses, SDO information (TxPDO/RxPDO and remote TxPDO/RxPDO are not supported).
	MailBox(FoE)	FoE firmware upgrade supported
	Distributed dock (DC)	Free-run mode and DC mode (switchable) DC synchronization period: 125 μs to 8ms
	SII	2048 bytes (read-only)
CiA402 Drive Profile		Homing mode Profile position mode Profile velocity mode Profile torque mode Interpolated position mode Cyclic synchronous position mode Cyclic synchronous velocity mode Cyclic synchronous torque mode Touch probe function Torque limit function
FoE (File Over EtherCAT)		Download the new firmware through the FoE protocol
USB communication	Port	PC (Connection ESView)
	Communication standard	USB 2.0 standard (12 Mbps), OTG
Display		5 bit digital tube
Indicator light		CHARGE, POWER, SYS, RUN, ERR, L/A IN, L/A OUT
Panel operator		Four buttons
Regenerative braking		Rated power 50W ~ 400W products without built-in brake resistance The products with rated power of 750W ~ 7.5KW have built-in brake resistance
Protection function		Over current, over voltage, under voltage, over load, abnormal regeneration, overspeed and so on
Auxiliary function		Alarm recording, JOG operation, load inertia identification, mechanical analyzer, automatic setting tools, etc

Note: When using single-phase power supply for DX3-15AEA (rated power 1.5kW), please reduce the power supply to 1.2kW.

TRIO DX3

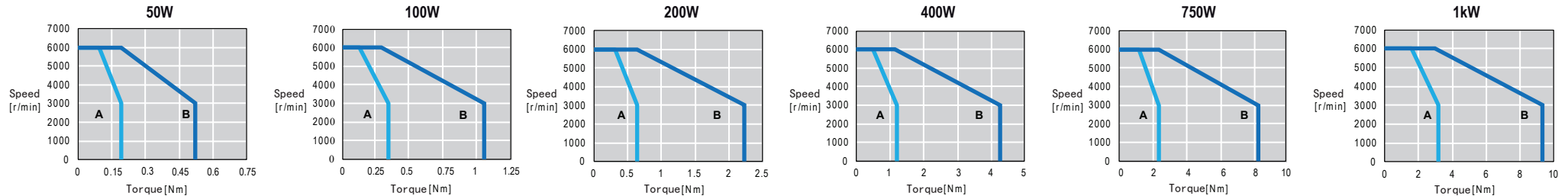
Product size



Drive	Output power	High (mm)	Wide (mm)	Deep (mm)
DX3-1A5AEA/MA	50W	172	40	180
DX3-101AEA/MA	100W	172	40	180
DX3-102AEA/MA	200W	172	40	180
DX3-104AEA/MA	400W	172	40	180
DX3-108AEA/MA	750W	172	55	180
DX3-110AEA/MA	1kW	172	55	180
DX3-115AEA/MA	1.5kW	172	70	180
DX3-120AEA/MA	2kW	172	70	180
Above model: Voltage =200VAC				
DX3-110DEA/MA	1kW	172	60	180
DX3-115DEA/MA	1.5kW	172	60	180
DX3-120DEA/MA	2kW	172	85	180
DX3-130DEA/MA	3kW	172	85	180
DX3-150DEA/MA	5kW	260	90	230
DX3-175DEA/MA	7.5kW	260	90	230
Above model: Voltage =400VAC				

MXL Motor (50 w – 1 kw)

Low inertia high speed (MXL) servo motor



A: Continuous working area B: Repetitive work area

- Rated speed 3000RPM, Brake/no-brake options are supported
- 17-bit absolute or 23-bit absolute encoder
- Protection class IP65
- With oil seal as standard
- Input power: 200VAC

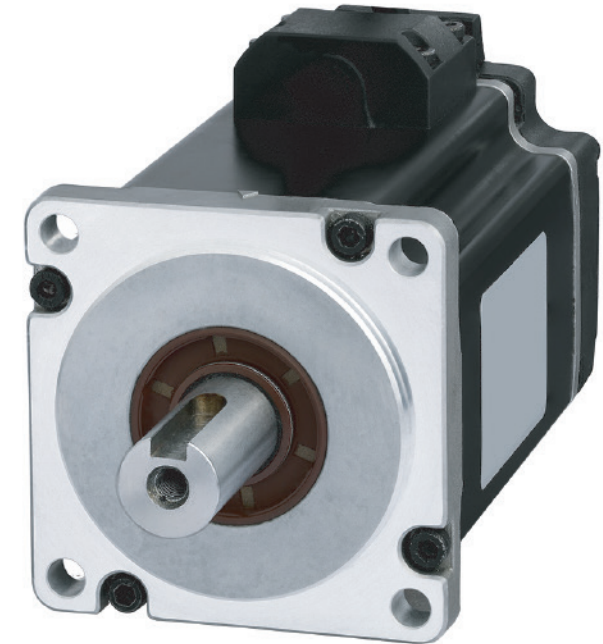
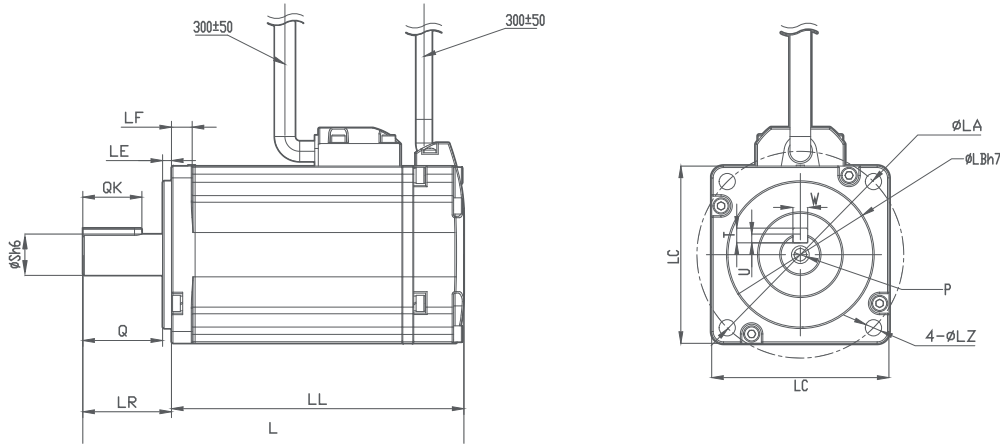


Servo motor parameters		50W	100W	200W	400W	750W	1kW
Rated output	kW	0.05	0.1	0.2	0.4	0.75	1
Rated torque	N · m	0.159	0.318	0.63	1.27	2.39	3.18
Instantaneous peak torque	N · m	0.557	1.11	2.21	4.45	8.37	9.55
Rated current	Ams	0.9	1.1	1.5	2.9	5.1	6.9
Instantaneous maximum current	Ams	3.3	4.0	5.8	11.5	19.5	21.0
Rated speed	r/min	3000					
Highest speed	r/min	6000					
Motor inertia	$\times 10^{-4} \text{kg} \cdot \text{m}^2$	0.023 (0.0268)	0.0428 (0.0465)	0.147 (0.179)	0.244 (0.276)	0.909 (1.07)	1.14 (1.30)
Brake rated voltage		DC24V \pm 10%					
Brake rating	W	4.0		7.4		9.6	
Brake torque rating	Nm	0.32		1.5		3.2	
Encoder		17 bit absolute value; 23 bit absolute value					
Insulation class		F					
Environment temperature		0° C ~ +40° C (No freeze)					
Environmental humidity		20%~80% RH (No coagulate frost)					
Vibration resistance		vibration: dynamic $\leq 49 \text{m/s}^2$ (5G); static $\leq 24.5 \text{m/s}^2$; Impact resistant $\leq 98 \text{m/s}^2$ (10G)					
Guard mode		Totally enclosed, self cooling, IP65					

- The values in parentheses represent the values of motors with brakes.

Specifications are subject to change without prior notice

MXL Motor(50W-1kW)

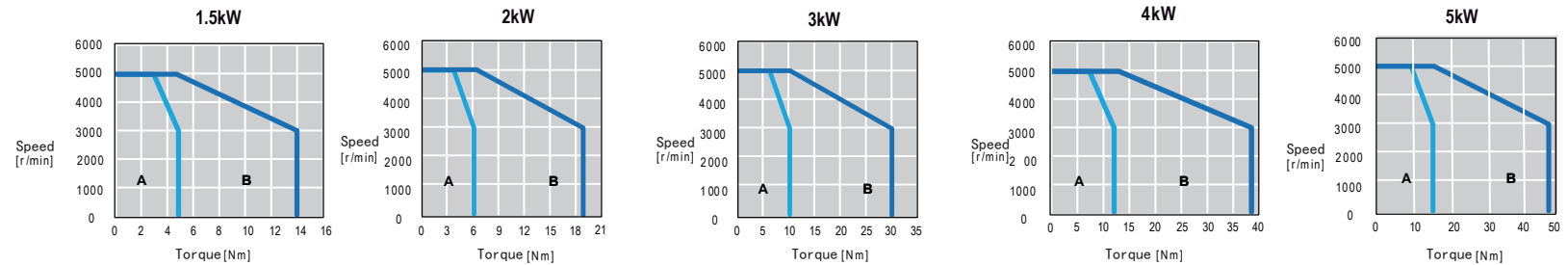
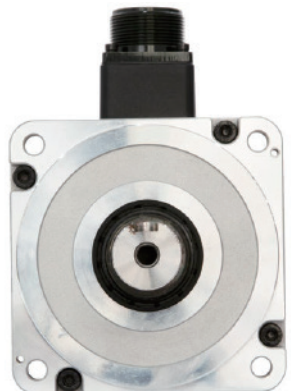


Power	MXL-	L	LL	Flange Dimensions								S	Threaded hole x depth	key				
				LR	LE	LF	LC	LA	LB	LZ	QK			W	T	U	Q	
50W	A5A0430L	87.5(121)	62.5(96)	25	2.5	5	40	46	30	4.3	8	M3X6	14	3	3	1.8	22.5	
100W	01A0430L	103.5(137)	78.5(112)	25	2.5	5	40	46	30	4.3	8	M3X6	14	3	3	1.8	22.5	
200W	02A0630L	108(137)	78(107)	30	3	7	60	70	50	5.5	14	M5X12	20	5	5	3	27	
400W	04A0630L	129(158)	99(128)	30	3	7	60	70	50	5.5	14	M5X12	20	5	5	3	27	
750W	08A0830L	141(184)	111(144)	40	3	8	80	90	70	6.6	19	M6X12	25	6	6	3.5	37	
1kW	10A0830L	155(198)	125(158)	40	3	8	80	90	70	6.6	19	M6X12	25	6	6	3.5	37	
200W	02A0630F	126.5(155.5)	96.5(125.5)	30	3	7	60	70	50	5.5	14	M5X12	20	5	5	3	27	
400W	04A0630F	147.5(176.5)	117.5(146.5)	30	3	7	60	70	50	5.5	14	M5X12	20	5	5	3	27	
750W	08A0830F	169.5(202.5)	129.5(162.5)	40	3	8	80	90	70	6.6	19	M6X12	25	6	6	3.5	37	
1kW	10A0830F	183.5(216.5)	143.5(176.5)	40	3	8	80	90	70	6.6	19	M6X12	25	6	6	3.5	37	

MXL	-	Rated output	Voltage grade	Flange dimensions	Rated speed	Encoder	Design order	Shaft end	Options	Plug type
A5	50W	A	200VAC	04 40mm	30 3000 RPM	T 17-bits absolute L 23-bits absolute	A -	2 with keys	2 With oil seal 4 With oil seal With brake	2 Line waterproofing
01	100 W			06 60mm						
02	200 W			08 80mm						
04	400 W									
08	750W									
10	1kW									

MXL Motor(1.5kW–5kW)

Low inertia high speed (MXL) servo motor



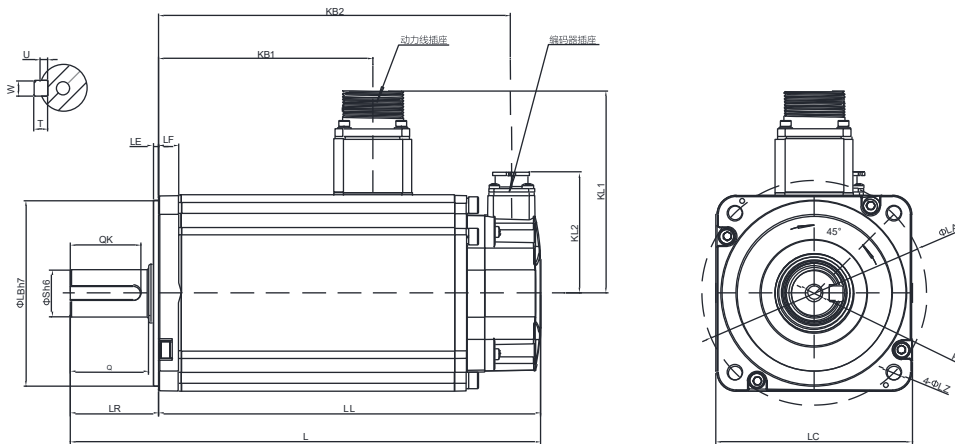
- Rated speed 3000RPM, Brake/no-brake options are supported
- 17-bit absolute or 23-bit absolute encoder
- Protection class IP65
- With oil seal as standard
- Input power: 200VAC

Servo motor parameters		200VAC		400VAC				
		1.5kW	2kW	1.5kW	2kW	3kW	4kW	5kW
Rated output	kW	1.5	2	1.5	2	3	4	5
Rated torque	N · m	4.78	6.37	4.78	6.37	9.80	12.8	15.9
Instantaneous peak torque	N · m	14.3	19.1	14.3	19.1	29.4	38.4	47.7
Rated current	Arms	9.5	12.6	4.9	6.4	10.5	13.0	15.9
Instantaneous maximum current	Arms	31.6	42.0	16.3	20.5	33.0	40.0	50.0
Rated speed	r/min	3000						
Highest speed	r/min	5000						
Motor inertia	$\times 10^{-4} \text{kg} \cdot \text{m}^2$	2.33 (3.10)	2.95 (3.72)	2.33 (3.10)	2.95 (3.72)	7.72 (9.00)	10.24 (11.6)	14 (15.4)
Brake rated voltage		DC24V \pm 10%						
Brake rating	W	14.4					23	
Brake torque rating	Nm	8					20	
Encoder		17 bit absolute value; 23 bit absolute value						
Insulation class		F						
Environment temperature		0° C ~ +40° C (No freeze)						
Environmental humidity		20%~80% RH (No coagulate frost)						
Vibration resistance		vibration: dynamic $\leq 49 \text{m/s}^2$ (5G); static $\leq 24.5 \text{m/s}^2$; Impact resistant $\leq 98 \text{m/s}^2$ (10G)						
Guard mode		Totally enclosed, self cooling, IP65						

- The values in parentheses represent the values of motors with brakes.

MXL

Motor(1.5kW-5kW)

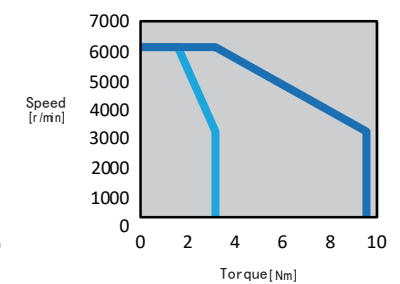
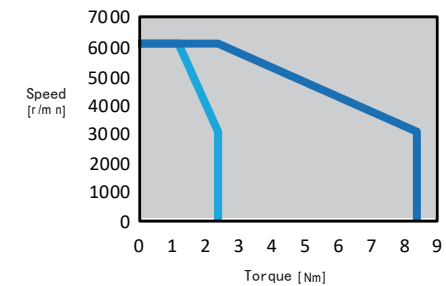
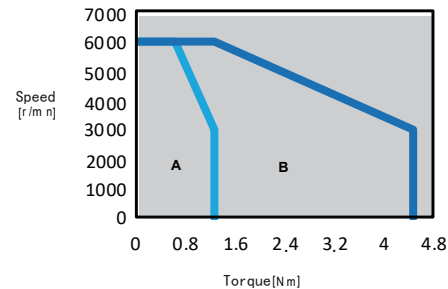
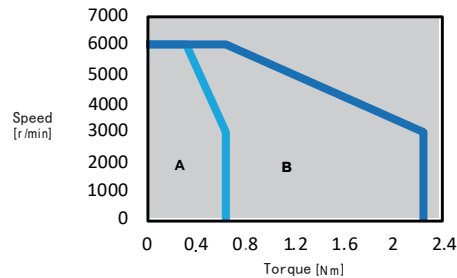


Power	MXL-	L	LL	Flange Dimensions								S	Threaded hole x depth	key				
				LR	LE	LF	LC	LA	LB	LZ	QK			W	T	U	Q	
1.5kW	15A1030L	210 (240)	165 (195)	45	3	10	100	115	95	7	24	M8X16	36	8	7	4	40	
2.0kW	20A1030L	230 (260)	185 (215)	45	3	10	100	115	95	7	24	M8X16	36	8	7	4	40	
3.0kW	30A1330L	257 (289.5)	194 (226.5)	63	6	12	130	145	110	9	28	M8X16	54	8	7	4	55	
4.0kW	40A1330L	284 (316.5)	221 (253.5)	63	6	12	130	145	110	9	28	M8X16	54	8	7	4	55	
5.0kW	50A1330L	324 (356.5)	261 (293.5)	63	6	12	130	145	110	9	28	M8X16	54	8	7	4	55	

MXL	-	Rated output	Voltage grade	Flange dimensions	Rated speed	Encoder	Design order	Shaft end	Options	Plug type
		A5 50W 01 100W 02 200W 04 400W 08 750W 10 1kW	A 200VAC	04 40mm 06 60mm 08 80mm	30 3000 RPM	T 17-bits absolute L 23-bits absolute	A -	2 with keys	2 With oil seal 4 With oil seal With brake	2 Line waterproofing
			15							

MXJ Motor(200W-1kW)

Medium inertia high speed (MXL) servo motor



A: Continuous working area B: Repetitive work area



- Rated speed 3000RPM, Brake/no-brake options are supported
- 17-bit absolute or 23-bit absolute encoder
- Protection class IP65
- With oil seal as standard
- Input power: 200VAC

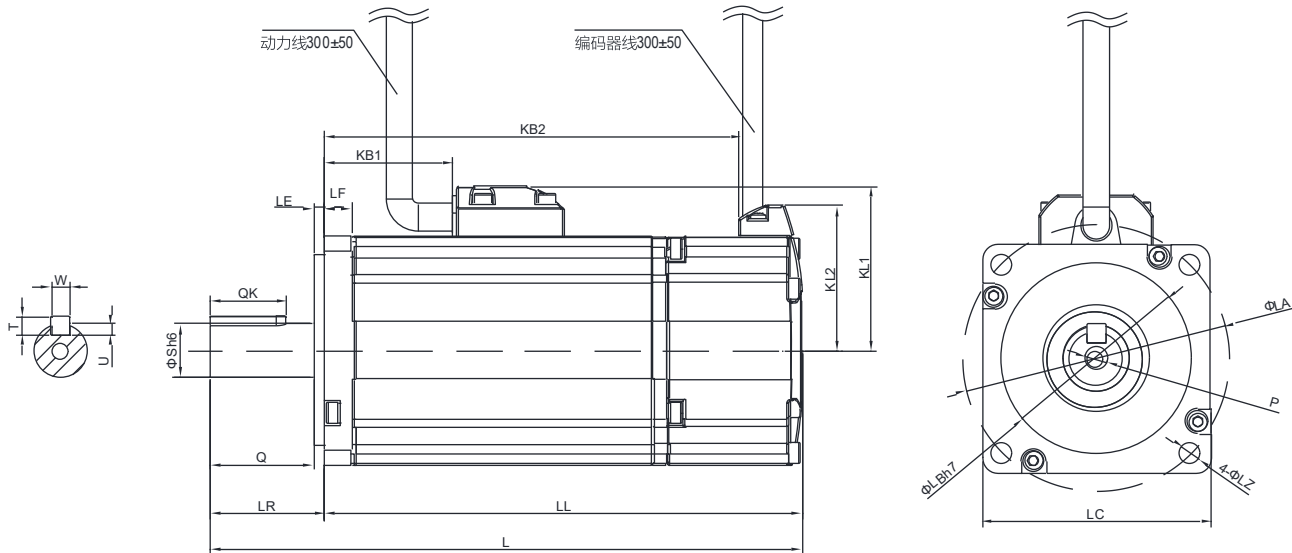


Servo motor parameters		200W	400W	750W	1kW
Rated output	kW	0.2	0.4	0.75	1
Rated torque	N·m	0.637	1.27	2.39	3.18
Instantaneous peak torque	N·m	2.23	4.46	8.37	9.54
Rated current	Arms	1.5	2.8	5.1	7.1
Instantaneous maximum current	Arms	5.8	11.2	19.5	22.0
Rated speed	r/min	3000			
Highest speed	r/min	6000			
Motor inertia	$\times 10^{-4} \text{kg}\cdot\text{m}^2$	0.33 (0.36)	0.64 (0.68)	1.64 (1.69)	2.26 (2.41)
Weight	kg	0.9(1.0)	1.3(1.4)	2.3(2.9)	3.1(3.8)
Brake rated voltage		DC24V \pm 10%			
Brake rating	W	7.4		9.6	
Brake torque rating	Nm	1.5		3.2	
Encoder		17 bit absolute value; 23 bit absolute value			
Insulation class		F			
Environment temperature		0° C ~ +40° C (No freeze)			
Environmental humidity		20%~80% RH (No coagulate frost)			
Vibration resistance		vibration: dynamic \leq 49m/s ² (5G); static \leq 24.5m/s ² ; Impact resistant \leq 98m/s ² (10G)			
Guard mode		Totally enclosed, self cooling, IP65			

- The values in parentheses represent the values of motors with brakes.

MXJ

Motor(200W-1kW)



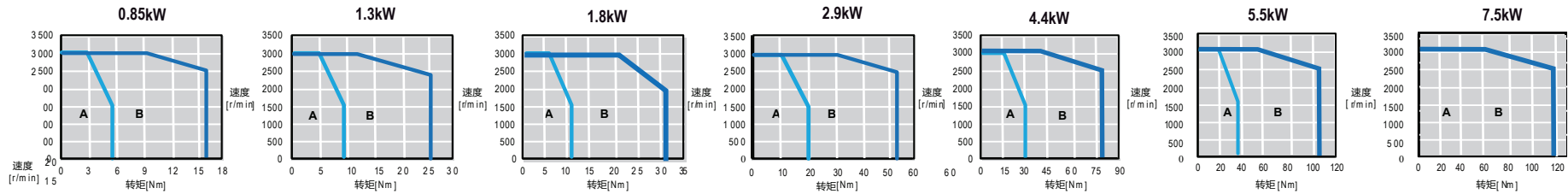
Power	MXJ-	L	LL	Flange Dimensions								S	Threaded hole x depth	key				
				LR	LE	LF	LC	LA	LB	LZ	QK			W	T	U	Q	
200W	02A0630L	108 (137)	78 (107)	30	3	7	60	70	50	5.5	14	M5X12	20	5	5	3	27	
400W	04A0630L	129 (158)	99 (128)	30	3	7	60	70	50	5.5	14	M5X12	20	5	5	3	27	
750W	08A0830L	142 (175)	102 (135)	40	3	8	80	90	70	6.6	19	M6X12	25	6	6	3.5	37	
1kW	10A0830L	157 (190)	117 (150)	40	3	8	80	90	70	6.6	19	M6X12	25	6	6	3.5	37	

- The values in parentheses represent the values of motors with brakes.

MXJ	-	Rated output	Voltage grade	Flange dimensions	Rated speed	Encoder	Design order	Shaft end	Options	Plug type
02	200W	A	200VAC	06 60mm	30 3000 RPM	T 17-bits absolute	A -	2 with keys	2 With oil seal	2 Line waterproofing
04	400W			08 80mm		L 23-bits absolute			4 With oil seal	
08	750W								With brake	
10	1kW									

MXM Motor(0.85kW–7.5kW)

Medium inertia medium speed (MXM) Servo motor



A: 连续工作区域 B: 反复工作区域



Rated speed 1500RPM,
Brake/no-brake options are supported

17-bit absolute or 23-bit absolute encoder

Protection class IP65

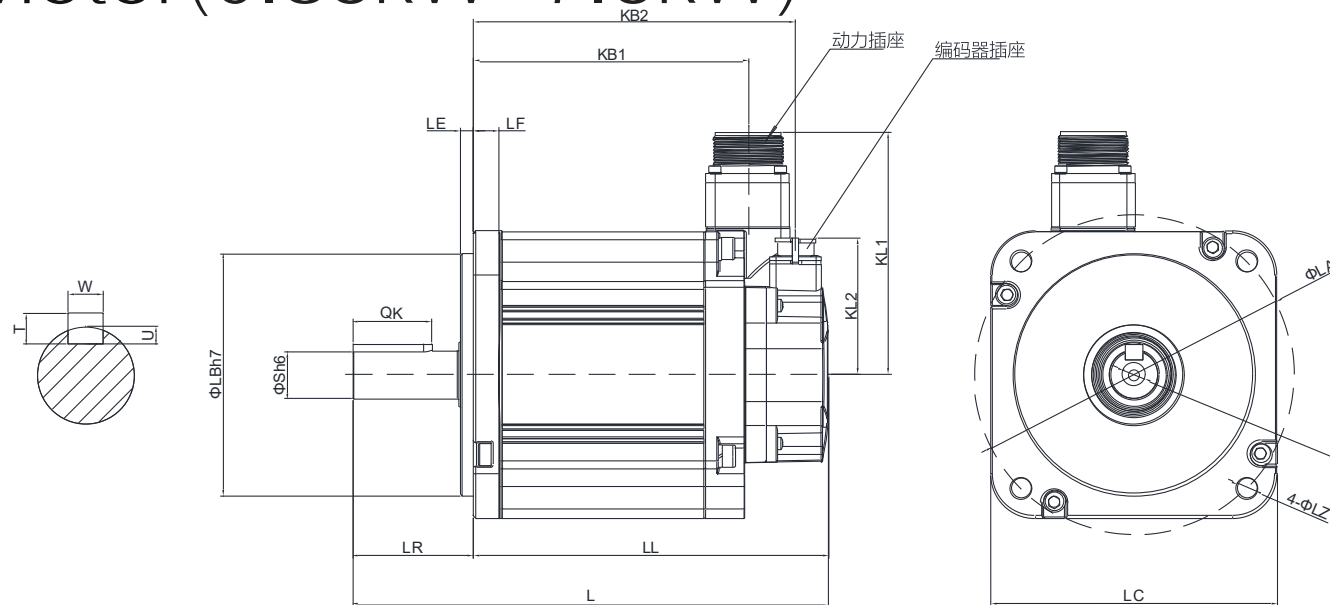
With oil seal as standard

Input power: 200VAC

Servo motor parameters		200VAC			400VAC						
		0.85kW	1.3kW	1.8kW	0.85kW	1.3kW	1.8kW	2.9kW	4.4kW	5.5kW	7.5kW
Rated output	kW	0.85	1.3	1.8	0.85	1.3	1.8	2.9	4.4	5.5	7.5
Rated torque	N·m	5.41	8.28	11.5	5.41	8.28	11.5	18.6	28.4	35.0	48.0
Instantaneous peak torque	N·m	16.2	24.8	31.0	16.2	24.8	31.0	55.8	80.0	105	120
Rated current	Arms	6.8	9.7	14.5	3.4	5.0	7.1	11.5	16.8	20.3	26.5
Instantaneous maximum current	Arms	22.6	29.7	42	10.9	15.6	21.2	37.0	49.5	64.0	70.0
Rated speed	r/min	1500									
Highest speed	r/min	2000									
Motor inertia	$\times 10^{-4} \text{kg}\cdot\text{m}^2$	11.9 (12.5)	17.3 (17.9)	22.3 (22.9)	11.9 (12.5)	17.3 (17.9)	22.3 (22.9)	43.4 (49.2)	58.8 (64.6)	85.5 (91.5)	116.8 (123)
Weight	kg	5.6(7.3)	7(8.7)	8.3(10.0)	5.6(7.3)	7(8.7)	8.3(10.0)	14.6(18.8)	17.6(21.8)	23.2(27.8)	29(33.6)
Brake rated voltage		DC24V \pm 10%									
Brake rating	W	23					36			36	
Brake torque rating	N·m	20					44			72	
Encoder		17 bit absolute value; 23 bit absolute value									
Insulation class		F									
Environment temperature		0° C ~ +40° C (No freeze)									
Environmental humidity		20%~80% RH (No coagulate frost)									
Vibration resistance		24.5m/s ²									
Guard mode		Self-cooling, IP65 (Cable plug not included)									

• The values in parentheses represent the values of motors with brakes.

MXM Motor(0.85kW-7.5kW)

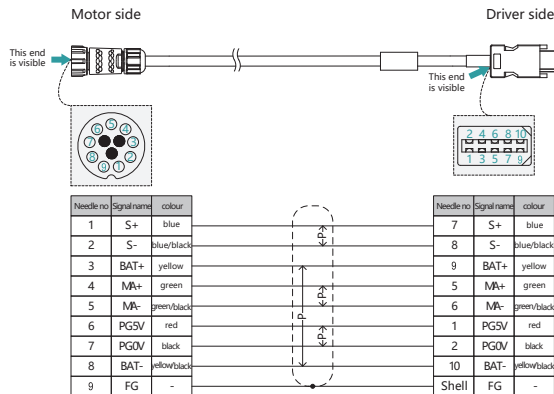


Power	MXM-	L	LL	KB1	KB2	KL1	KL2	Flange Dimensions							S	Threaded hole x depth	key			
								LR	LE	LF	LC	LA	LB	LZ			QK	W	T	U
0.85KW	09□1315	185 (215)	131 (161.0)	94.5	116 (146)	112	58.5	55	6	12	130	145	110	9	22	M6×20	32	8	7	4
1.3KW	13□1315	200 (230.0)	146 (176.0)	109.5	131 (161)															
1.8KW	18□1315	215 (245.0)	161 (191.0)	124.5	146 (176)															
2.9KW	29D1815	239 (284)	160 (205)	135.5 (139.8)	145.5 (190.2)	142	62	79	3.2	18	180	200	114.3	13.5	35	M8×16	65	10	8	3
4.4KW	44D1815	258 (303)	179 (224)	154.5 (158.8)	164.5 (209.2)	142	62	79	3.2	18	180	200	114.3	13.5	35	M8×16	65	10	8	3
5.5KW	55D1815	324 (377)	221 (264)	186.5 (198.8)	196.5 (249.2)	142	62	113	3.2	18	180	200	114.3	13.5	42	M8×16	96	12	10	3
7.5KW	75D1815	360 (413)	247 (300)	222.5 (234.8)	232.5 (285.2)	142	62	113	3.2	18	180	200	114.3	13.5	42	M8×16	96	12	10	3

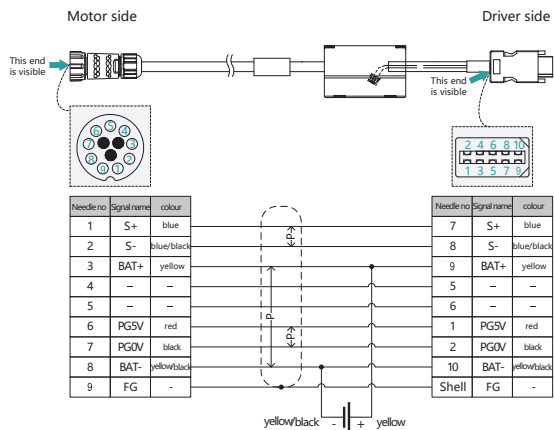
MXM	-	Rated output	Voltage grade	Flange dimensions	Rated speed	Encoder	Design order	Shaft end	Options	Plug type
09	0.85kW	A	200VAC	13 130mm	15 1500 RPM	T 17-bits absolute	A -	2 with keys	2 With oil seal	4 Aviation plug
13	1.3kW	D	400VAC	18 180mm		L 23-bits absolute	B -		4 With oil seal	
18	1.8kW						D -		With brake	
29	2.9kW									
44	4.4kW									
55	5.5kW									
75	7.5kW									

Cable Encoder cable

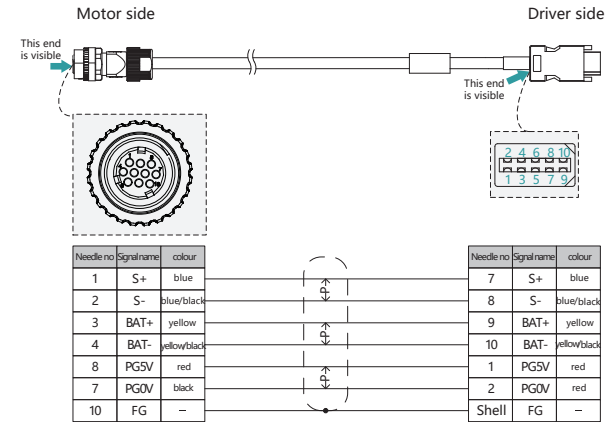
MXL Motor (50W – 1kW)
MXJ Motor (200W – 1kW)
EC3S-I1724-XX (Incremental encoders)



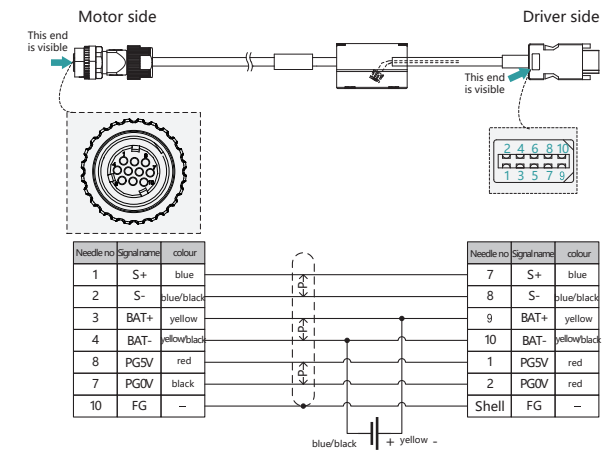
EC3S-A1724-XX (Absolute encoder)



MXM电机 (0.8kW – 7.5kW)
MXL 电机 (1.5kW – 5kW)
EC3S-I1924-XX (Incremental encoders)



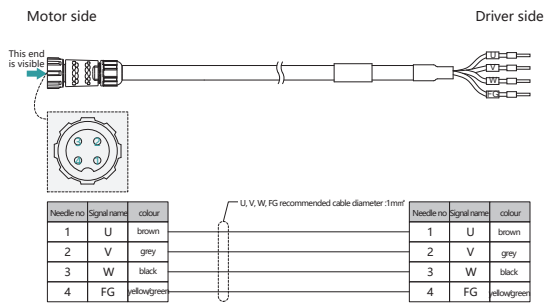
EC3S-A1924-XX (Absolute encoder)



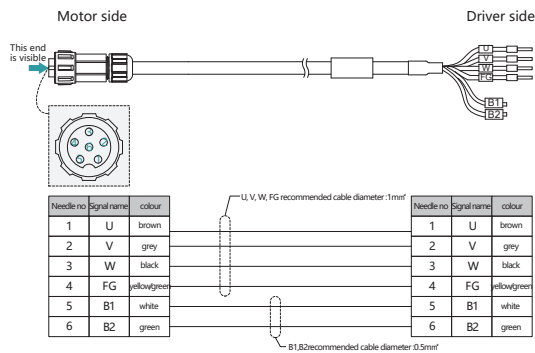
Cable Encoder cable

MX Motor (50W – 1kW)

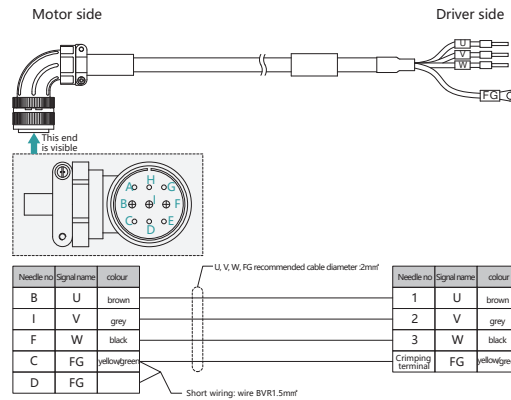
EC3P-N9718-XX (No brake)



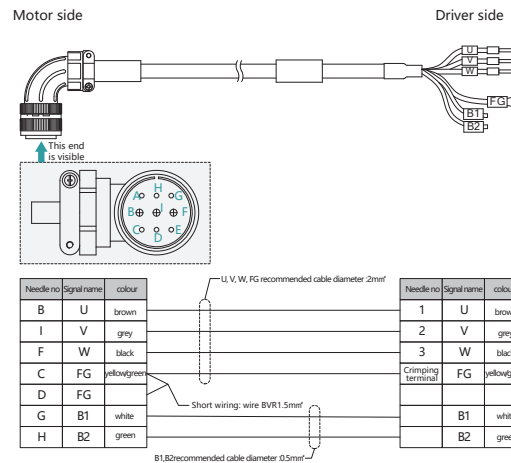
EC3P-B9718-XX (With brake)



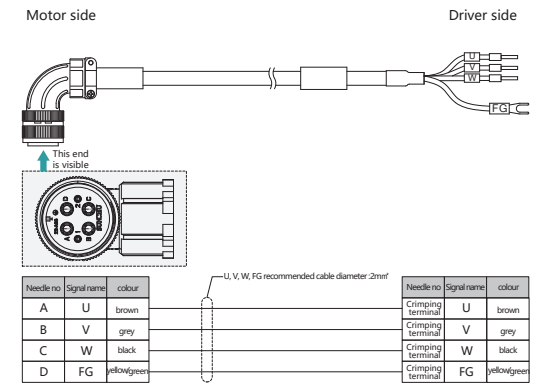
MXL Motor (1.5W – 3kW)
MXM Motor (0.85W – 1.8kW)
EC3P-N9314-XX (No brake)



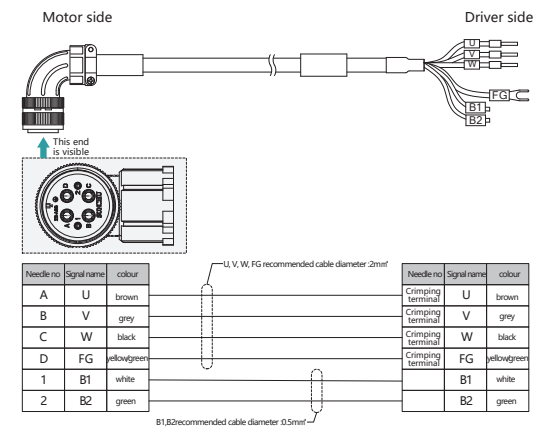
EC3P-B9314-XX (With brake)



MXM Motor (2.9kW)
EC3P-N8214-XX (No brake)



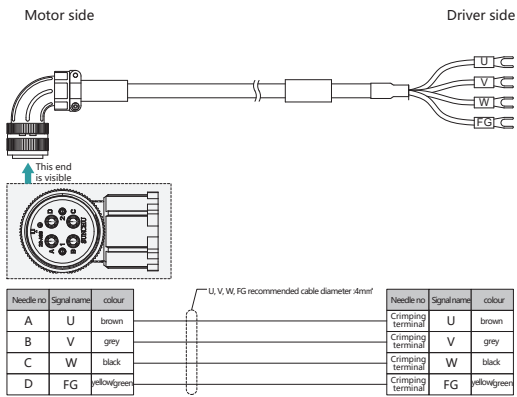
EC3P-B8214-XX (With brake)



Cable Encoder cable

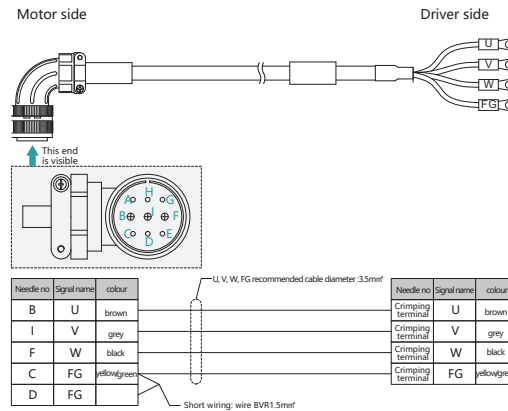
MXM电机 (4.4kW-5.5kW)

EC3P-N9212-XX (No brake)



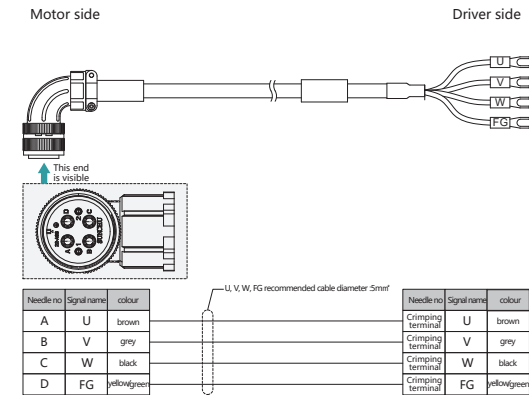
MXL电机 (4kW-5kW)

EC3P-N9319-XX (No brake)

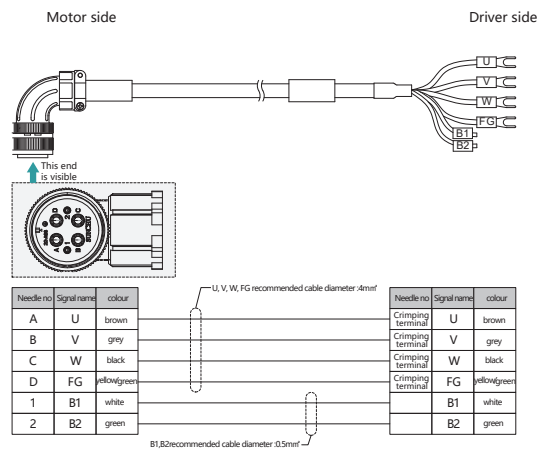


MXM电机 (7.5kW)

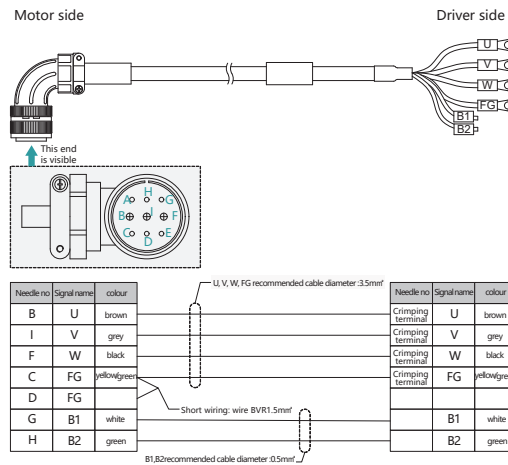
EC3P-N9211-XX (No brake)



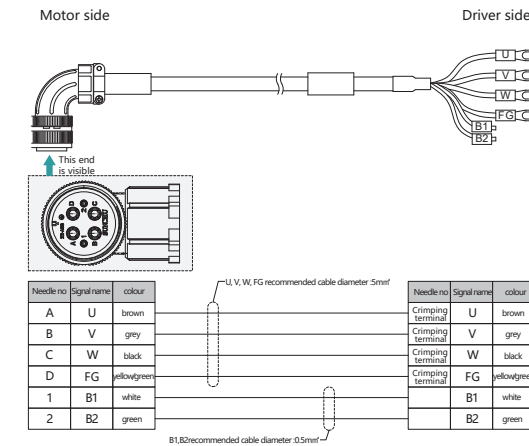
EC3P-B9212-XX (With brake)



EC3P-B9319-XX (With brake)



EC3P-B9211-XX (With brake)



TRIO DX3

Product series supporting relationship table

Drive model	Motor model	Encoder cable	Power cable	IO plug
DX3 Servo driver DX3-130DMA	MXM Servo motor MXM-29D1815LA224	EC3S Absolute encoder cable EC3S-A1924-05	EC3P power cable EC3P-N8214-05	Plug SM-50J
DX3 Servo driver DX3-130DMA	MXM Servo motor MXM-29D1815LA244	EC3S Absolute encoder cable EC3S-A1924-05	EC3P power cable EC3P-B8214-05	Plug SM-50J
DX3 Servo driver DX3-130DMA	MXM Servo motor MXM-29D1815TA224	EC3S Absolute encoder cable EC3S-A1924-05	EC3P power cable EC3P-N8214-05	Plug SM-50J
DX3 Servo driver DX3-130DMA	MXM Servo motor MXM-29D1815TA244	EC3S Absolute encoder cable EC3S-A1924-05	EC3P power cable EC3P-B8214-05	Plug SM-50J
DX3 Servo driver DX3-150DMA	MXM Servo motor MXL-40D1330LA224	EC3S Absolute encoder cable EC3S-A1924-05	EC3P power cable EC3P-N9319-05	Plug SM-50J
DX3 Servo driver DX3-150DMA	MXM Servo motor MXL-40D1330LA244	EC3S Absolute encoder cable EC3S-A1924-05	EC3P power cable EC3P-B9319-05	Plug SM-50J
DX3 Servo driver DX3-150DMA	MXM Servo motor MXL-50D1330LA224	EC3S Absolute encoder cable EC3S-A1924-05	EC3P power cable EC3P-N9319-05	Plug SM-50J
DX3 Servo driver DX3-150DMA	MXM Servo motor MXL-50D1330LA244	EC3S Absolute encoder cable EC3S-A1924-05	EC3P power cable EC3P-B9319-05	Plug SM-50J
DX3 Servo driver DX3-150DMA	MXM Servo motor MXM-44D1815LA224	EC3S Absolute encoder cable EC3S-A1924-05	ProNet power cable EC3P-N9212-05	Plug SM-50J
DX3 Servo driver DX3-150DMA	MXM Servo motor MXM-44D1815LA244	EC3S Absolute encoder cable EC3S-A1924-05	ProNet power cable EC3P-B9212-05	Plug SM-50J

Drive model	Motor model	Encoder cable	Power cable	IO plug
DX3 Servo driver DX3-150DMA	MXM Servo motor MXM-44D1815TA224	EC3S Absolute encoder cable EC3S-A1924-05	ProNet power cable EC3P-N9212-05	Plug SM-50J
DX3 Servo driver DX3-150DMA	MXM Servo motor MXM-44D1815TA244	EC3S Absolute encoder cable EC3S-A1924-05	ProNet power cable EC3P-B9212-05	Plug SM-50J
DX3 Servo driver DX3-175DMA	MXM Servo motor MXM-55D1815LA224	EC3S Absolute encoder cable EC3S-A1924-05	ProNet power cable EC3P-N9212-05	Plug SM-50J
DX3 Servo driver DX3-175DMA	MXM Servo motor MXM-55D1815LA244	EC3S Absolute encoder cable EC3S-A1924-05	ProNet power cable EC3P-B9212-05	Plug SM-50J
DX3 Servo driver DX3-175DMA	MXM Servo motor MXM-75D1815LA224	EC3S Absolute encoder cable EC3S-A1924-05	ProNet power cable EC3P-N9211-05	Plug SM-50J
DX3 Servo driver DX3-175DMA	MXM Servo motor MXM-75D1815LA244	EC3S Absolute encoder cable EC3S-A1924-05	ProNet power cable EC3P-B9211-05	Plug SM-50J
DX3 Servo driver DX3-175DMA	MXM Servo motor MXM-55D1815TA224	EC3S Absolute encoder cable EC3S-A1924-05	ProNet power cable EC3P-N9212-05	Plug SM-50J
DX3 Servo driver DX3-175DMA	MXM Servo motor MXM-55D1815TA244	EC3S Absolute encoder cable EC3S-A1924-05	ProNet power cable EC3P-B9212-05	Plug SM-50J
DX3 Servo driver DX3-175DMA	MXM Servo motor MXM-75D1815TA224	EC3S Absolute encoder cable EC3S-A1924-05	ProNet power cable EC3P-N9211-05	Plug SM-50J
DX3 Servo driver DX3-175DMA	MXM Servo motor MXM-75D1815TA244	EC3S Absolute encoder cable EC3S-A1924-05	ProNet power cable EC3P-B9211-05	Plug SM-50J